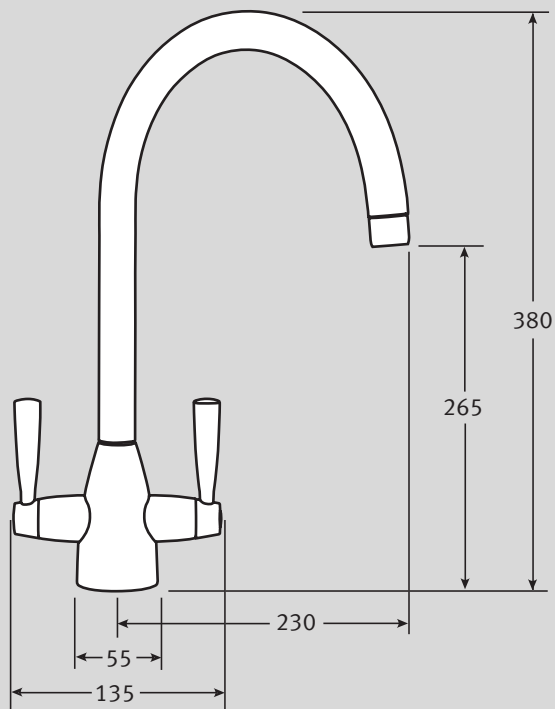


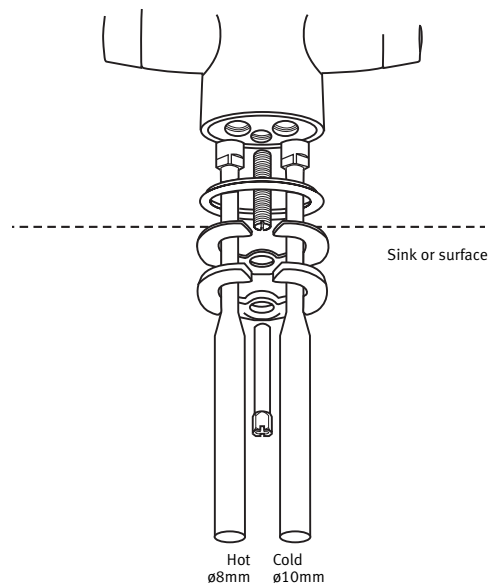
Eiger Tap Specifications

- Attractive neat design
- Biflow tubular 'J' spout
- Lever operation
- Quarter turn ceramic discs
- Optional white handles to match ceramic sinks
- Fully guaranteed with nationwide servicing*

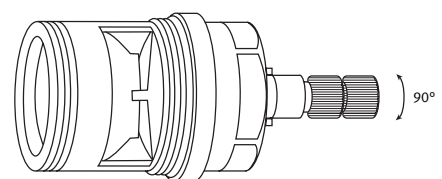


Material:	Plated Brass
Type:	Quarter turn ceramic discs
Spout:	Tubular biflow spout
Tails:	Rigid Tails
Tap Height:	265 (overall tap height 380)
Spout Reach:	230
Handle Width:	135
Colours:	Chrome or SilkSteel
Maximum Water Pressure:	75 PSI (5 bar)
Maximum hot-water Temperature:	65°C
Recommended hot water Temperature:	60°C
Guarantee:-	Valve: 5 years Surfaces: 1 year
Joints:	It is recommended that compression fittings are used to link the tap to the supply.

Tails:



Valve Mechanism:



* South Services: 0870 241 5632 *Central Services: 01782 599258

All Franke taps are designed to conform with Water Research Council Requirements and are backed by nationwide servicing and guarantees.

NB. Ceramic disc taps in certain installations or where there is a low head of water (below 4 metres) may not provide adequate flow rates. You are advised to check with your supplier. The minimum supply pressure for **Hot** water should be 1 bar to operate the rinse. The optimum is 2 bar from a balanced system (hot and cold).