

Efficiency

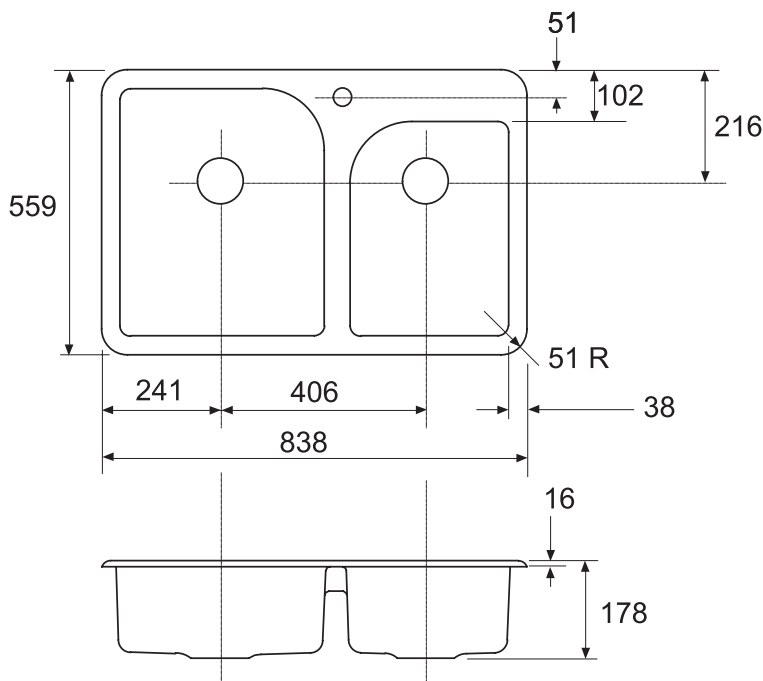
With generously proportioned bowls crafted from lustrous KOHLER Cast Iron, the offset tap ledge is designed to maximise the bowl volume with style.



<b>Product</b>	5948W-1 Efficiency 2 bowl & drainer
<b>Dimensions</b>	exterior: 838 x 559 x 178 mm
<b>Colours/finishes</b>	White (-00)
<b>Material</b>	Cast iron
<b>Weight (kg)</b>	54.4
<b>Installation type</b>	inset

To order, please use the product code and add the colour/finish reference, eg. -00 for white.

**KOHLER.**  
Cast Iron



All measurements shown are in millimetres.  
Sizes are approximate.

P4825