

Iron/Tones

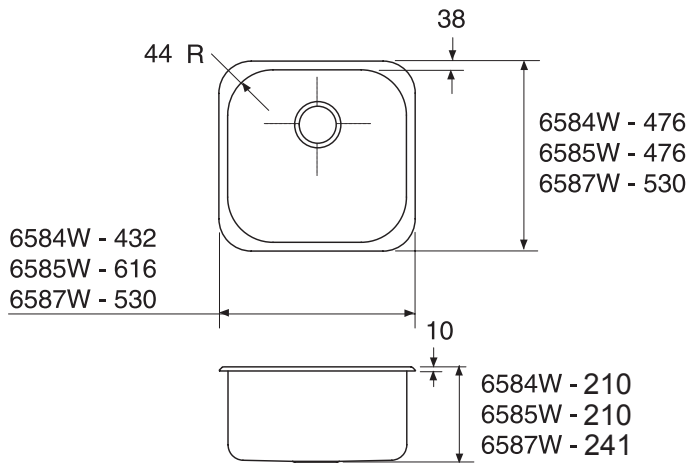
Installed as either inset or undermounted, this inspired range offers the perfect mix and match solution to food preparation and cleaning up. KOHLER Cast iron ensures a high lustre material that resists chipping, denting and discolouration.



Product	6585W	Iron/Tones 1 bowl
Dimensions	exterior: 616 x 476 mm interior: 540 x 400 x 210 mm	
Colours/finishes	White (-00)	
Material	Cast iron	
Weight (kg)	31.8	
Installation type	undermounted	
Complementary items	5806	Undermount kit 635 mm
	5807	Undermount kit 914 mm
	3294	Chopping board
	3277	Wire basket
	3192	Bottom rinse rack

KOHLER.
Cast Iron

To order, please use the product code and add the colour/finish reference, eg. -00 for white.



All measurements shown are in millimetres.
Sizes are approximate.

THE BOLD LOOK
OF **KOHLER**®

Kohler Co. Cromwell Road Cheltenham Gloucestershire GL52 5EP United Kingdom
Telephone +44 (0) 870 850 5551
Facsimile +44 (0) 844 472 3063
www.kohler.co.uk